

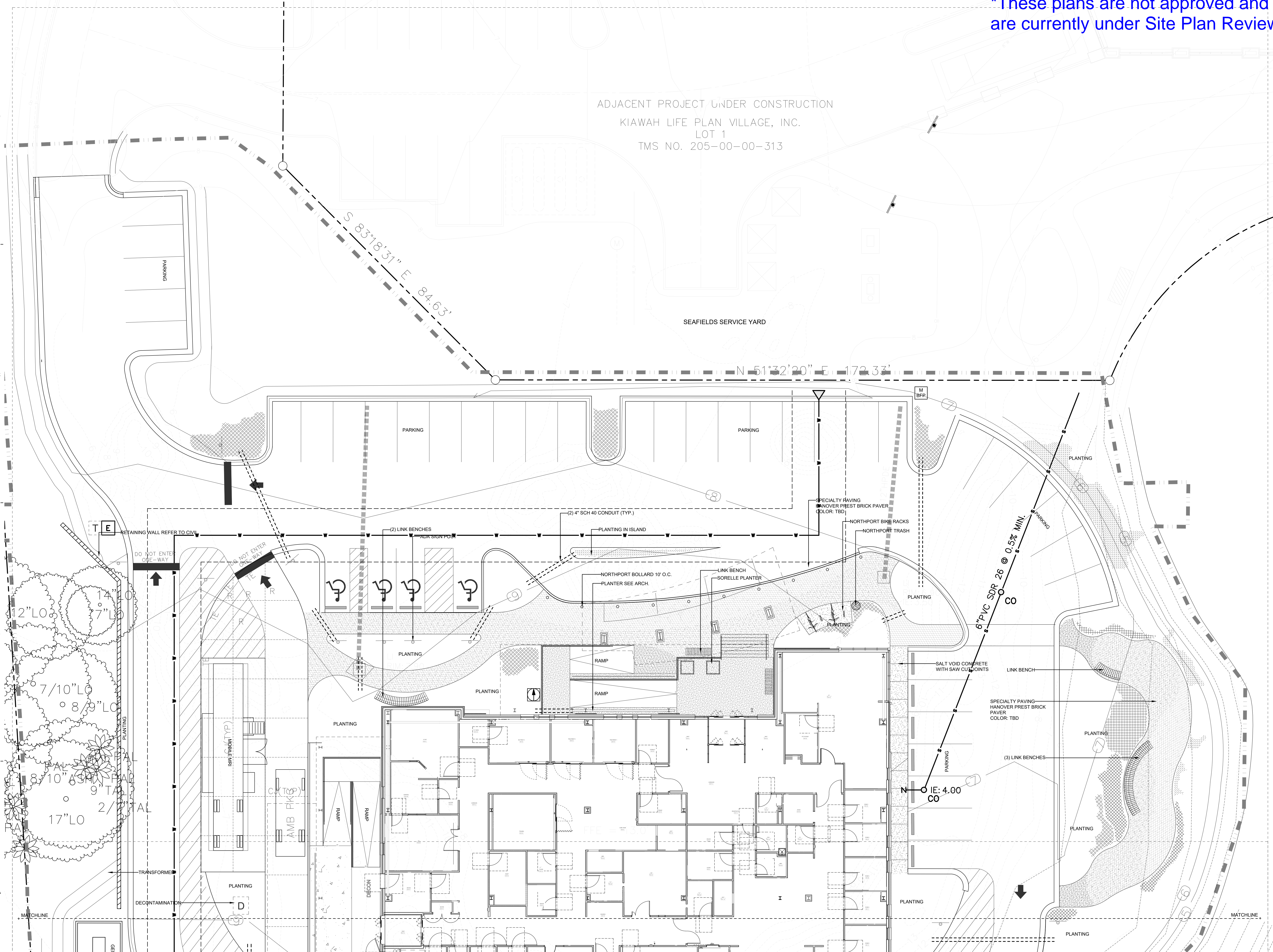


\*These plans are not approved and are currently under Site Plan Review

ADJACENT PROJECT UNDER CONSTRUCTION  
KIAWAH LIFE PLAN VILLAGE, INC.  
LOT 1  
TMS NO. 205-00-00-313

SEAFIELDS SERVICE YARD

ALL DRAWINGS, SPECIFICATIONS AND NOTES HEREOF ARE THE PROPERTY OF MCMILLAN PAZDAN SMITH ARCHITECTURE. THESE MATERIALS ARE TO BE USED ONLY IN CONNECTION WITH THE PROJECT FOR WHICH THEY WERE PREPARED AND NOT TO BE REPRODUCED OR TRANSMITTED IN ANY FORM OR BY ANY MEANS, ELECTRONIC OR MECHANICAL, INCLUDING PHOTOCOPYING, RECORDING, OR BY ANY INFORMATION STORAGE AND RETRIEVAL SYSTEM, WITHOUT THE WRITTEN PERMISSION OF MCMILLAN PAZDAN SMITH ARCHITECTURE. ALL RIGHTS RESERVED.



MEDICAL UNIVERSITY HOSPITAL AUTHORITY  
FREESTANDING EMERGENCY DEPARTMENT  
SEA ISLANDS - SCHEMATIC DESIGN

SHEET ISSUE:

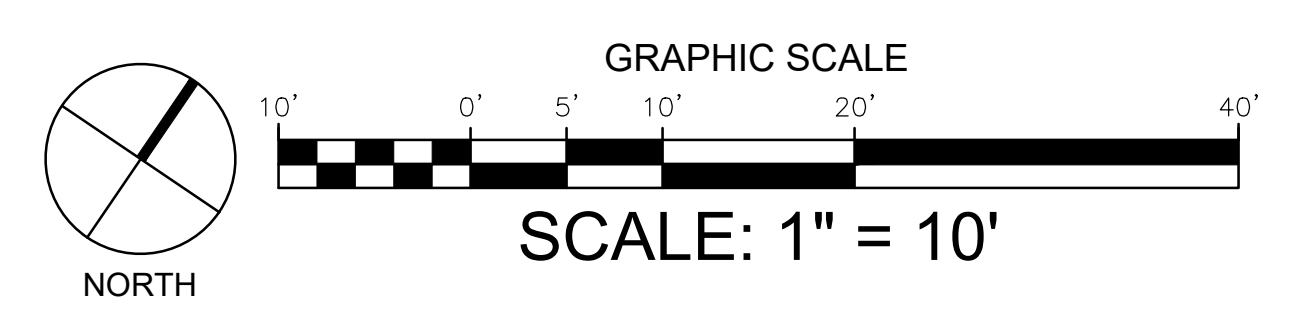
NO.	DATE	DESCRIPTION	BY
A	10/13/23	SCHEMATIC DESIGN	MPS
B	12/1/23	DESIGN DEVELOPMENT	MPS
C	12/23/23	ARB REVIEW	MPS

NOT FOR CONSTRUCTION

PRINCIPAL IN CHARGE: EFS  
PROJECT ARCHITECT: RKM  
DRAWN BY: RKM/AMM

SHEET TITLE:  
**PRELIMINARY  
SITE PLAN**

SHEET NO. PROJ. NO.  
021312.02

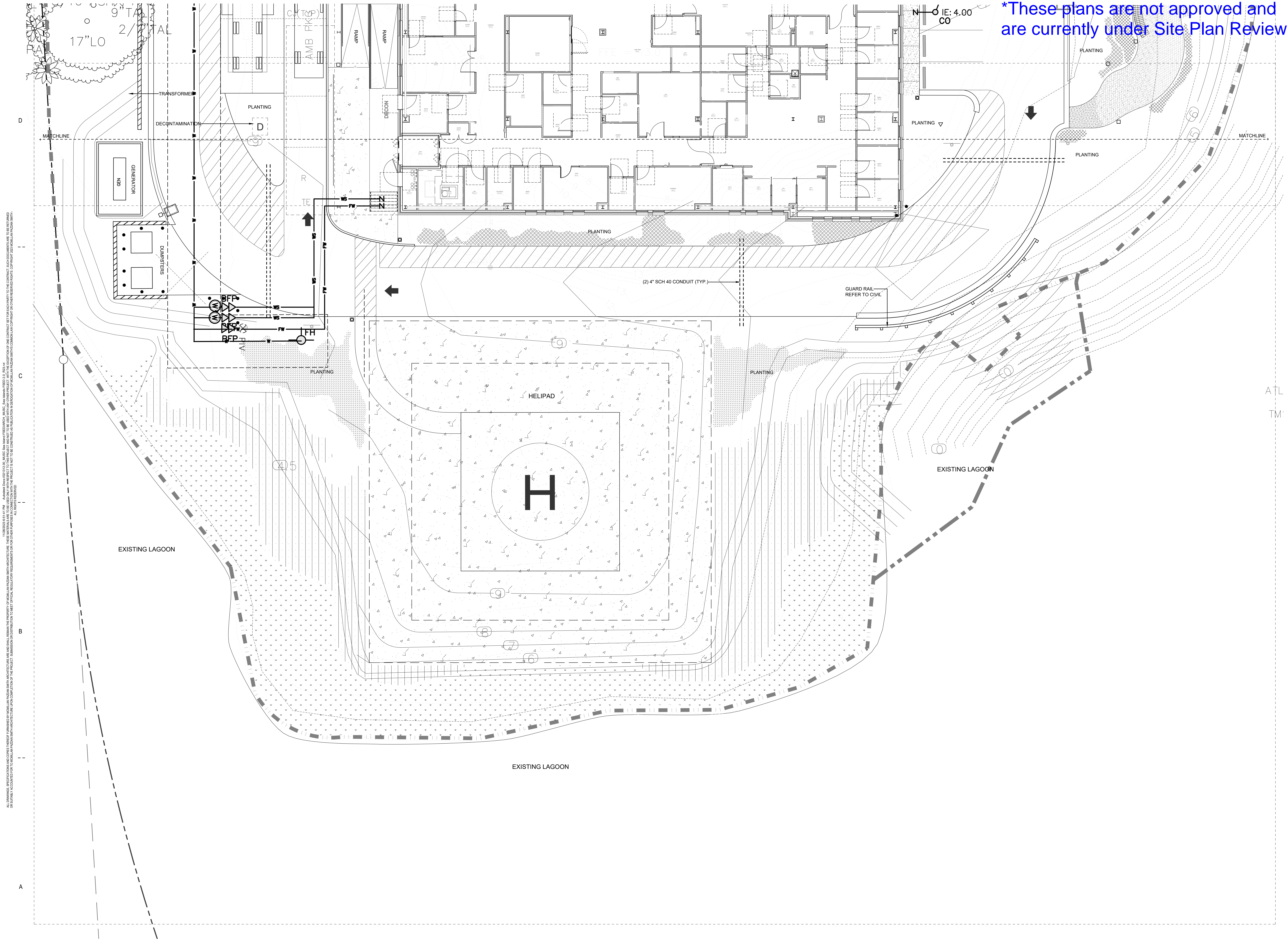
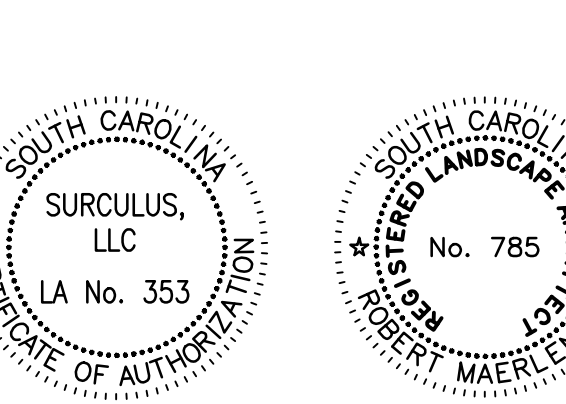


**L101**

\*These plans are not approved and are currently under Site Plan Review



62A Cannon Street, Charleston, SC 29403  
www.surculusdesign.com



ALL DRAWINGS, SPECIFICATIONS AND COPIES THEREOF UNLESS OTHERWISE SPECIFIED ARE THE PROPERTY OF MCMILLAN PAZDAN SMITH ARCHITECTURE AND SHALL REMAIN THE PROPERTY OF MCMILLAN PAZDAN SMITH ARCHITECTURE. THESE MATERIALS ARE TO BE USED ONLY IN CONNECTION WITH THE PROJECT FOR WHICH THEY WERE PREPARED AND NOT TO BE REPRODUCED OR TRANSMITTED IN ANY FORM OR BY ANY MEANS, ELECTRONIC OR MECHANICAL, INCLUDING PHOTOCOPYING, RECORDING, OR BY ANY INFORMATION STORAGE AND RETRIEVAL SYSTEM, WITHOUT THE WRITTEN PERMISSION OF MCMILLAN PAZDAN SMITH ARCHITECTURE. THE PROJECT IS NOT TO BE CONSIDERED AS A PROFESSIONAL ENGINEERING DESIGN OR AS A PROFESSIONAL ARCHITECTURAL DESIGN UNLESS SO INDICATED. ALL RIGHTS RESERVED.

MEDICAL UNIVERSITY HOSPITAL AUTHORITY  
 FREESTANDING EMERGENCY DEPARTMENT  
 SEA ISLANDS - SCHEMATIC DESIGN

SHEET ISSUE:

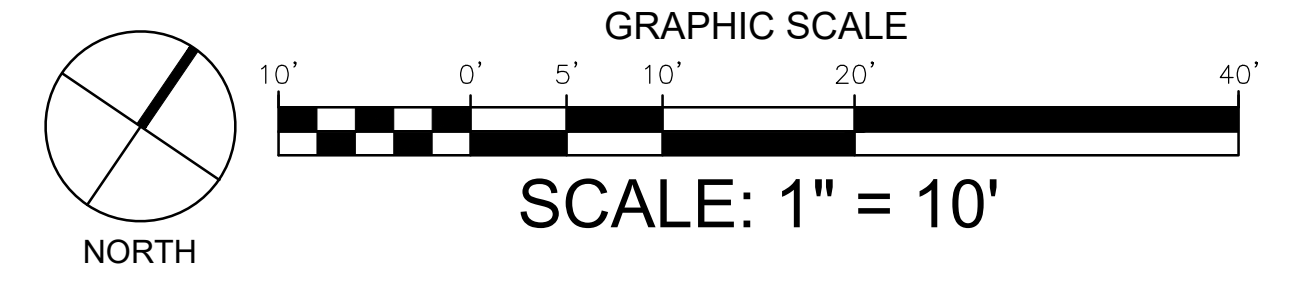
NO.	DATE	DESCRIPTION	BY
A	10/13/23	SCHEMATIC DESIGN	MPS
B	12/1/23	DESIGN DEVELOPMENT	MPS
C	12/23/23	ARB REVIEW	MPS

NOT FOR CONSTRUCTION

PRINCIPAL IN CHARGE: EFS  
 PROJECT ARCHITECT: RKM  
 DRAWN BY: RKM/AAM

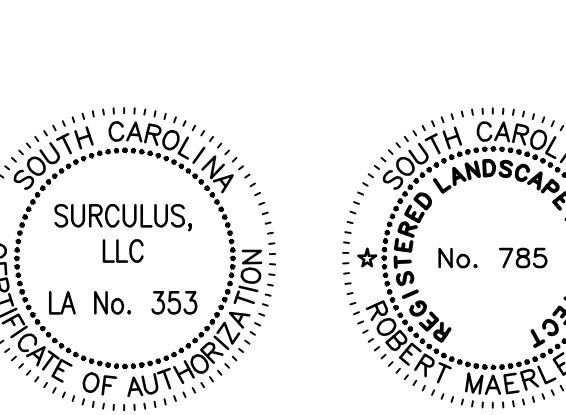
SHEET TITLE:  
**PRELIMINARY SITE PLAN**

SHEET NO. PROJ. NO. 021312.02



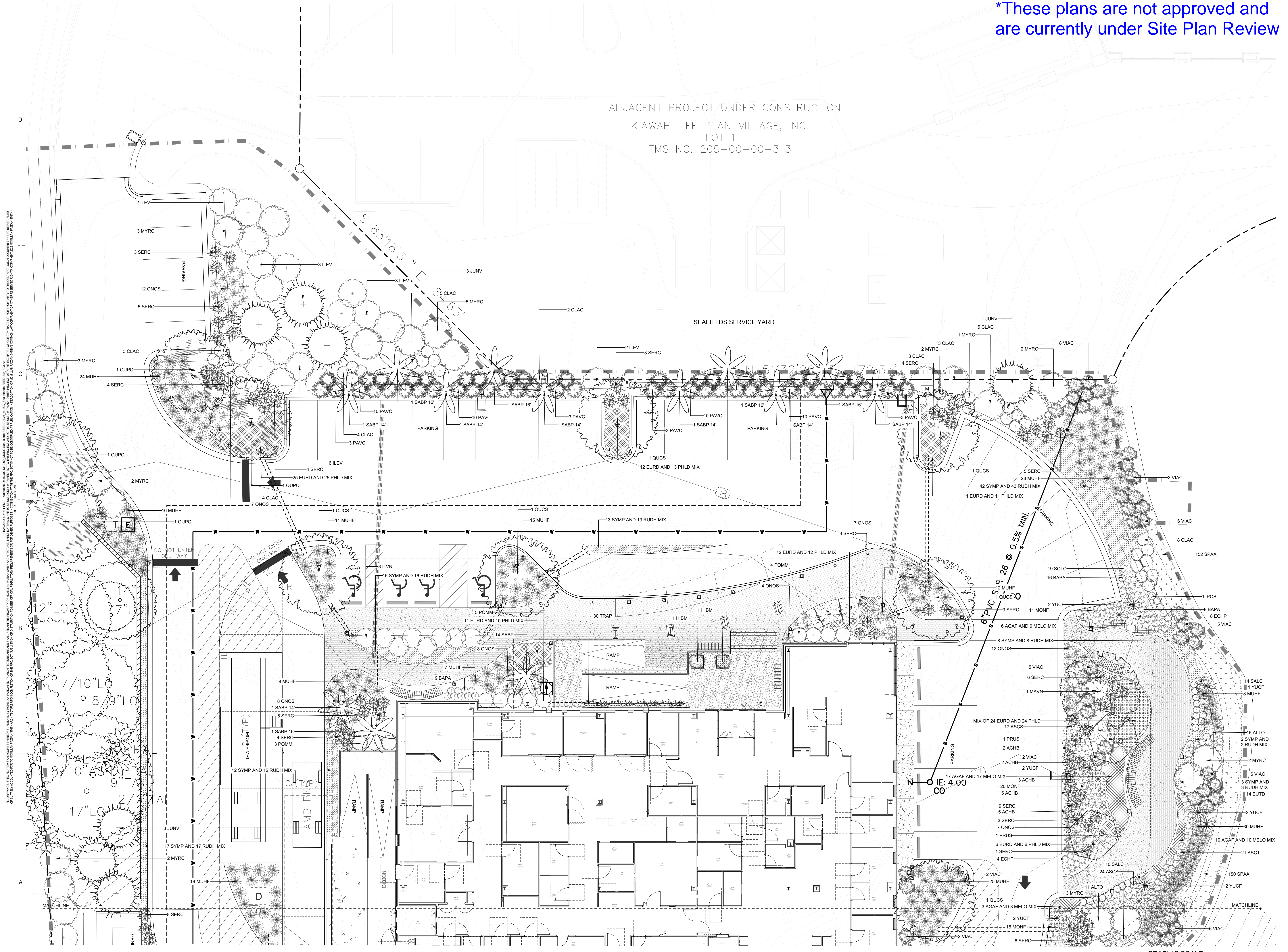
**L102**

\*These plans are not approved and are currently under Site Plan Review



ADJACENT PROJECT UNDER CONSTRUCTION  
KIAWAH LIFE PLAN VILLAGE, INC.  
LOT 1  
TMS NO. 205-00-00-313

SEAFIELDS SERVICE YARD



MEDICAL UNIVERSITY HOSPITAL AUTHORITY  
FREESTANDING EMERGENCY DEPARTMENT  
SEA ISLANDS - SCHEMATIC DESIGN

SHEET ISSUE:

NO.	DATE	DESCRIPTION	BY
A	10/13/23	SCHEMATIC DESIGN	MPS
B	12/1/23	DESIGN DEVELOPMENT	MPS
C	12/23/23	ARB REVIEW	MPS

NOT FOR CONSTRUCTION

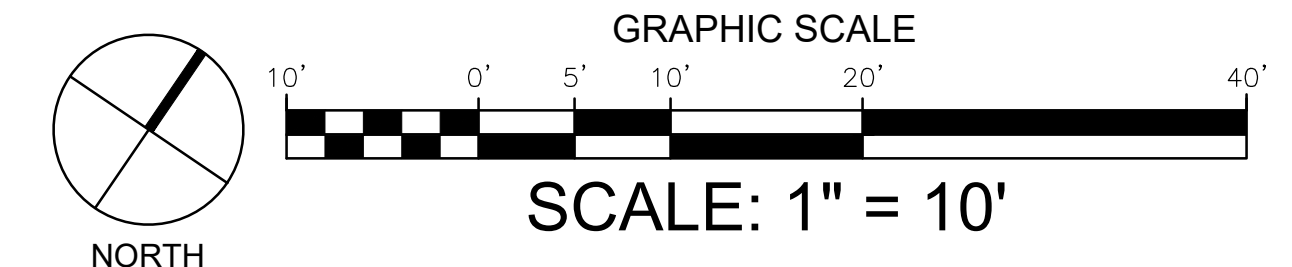
PRINCIPAL IN CHARGE:  
PROJECT ARCHITECT:  
DRAWN BY:

EFF  
RKM  
RKM/AAM

SHEET TITLE:  
**PLANTING PLAN**

SHEET NO. PROJ. NO.  
021312.02

L201



ALL DRAWING SPECIFICATIONS AND NOTES THROUGHOUT THESE PLANS SHALL BE SUBJECT TO THE CONTRACT DOCUMENTS AND TO THE STANDARD SPECIFICATIONS FOR PUBLIC WORKS OF THE STATE OF SOUTH CAROLINA, LATEST EDITION. THE CONTRACT DOCUMENTS SHALL BE THE FINAL AUTHORITY IN THE EVENT OF A DISCREPANCY BETWEEN THESE PLANS AND THE CONTRACT DOCUMENTS. THE CONTRACT DOCUMENTS SHALL BE THE FINAL AUTHORITY IN THE EVENT OF A DISCREPANCY BETWEEN THESE PLANS AND THE CONTRACT DOCUMENTS. THE CONTRACT DOCUMENTS SHALL BE THE FINAL AUTHORITY IN THE EVENT OF A DISCREPANCY BETWEEN THESE PLANS AND THE CONTRACT DOCUMENTS.



\*These plans are not approved and are currently under Site Plan Review

ADJACENT PROJECT UNDER CONSTRUCTION  
KIAWAH LIFE PLAN VILLAGE, INC.  
LOT 1  
TMS NO. 205-00-00-313

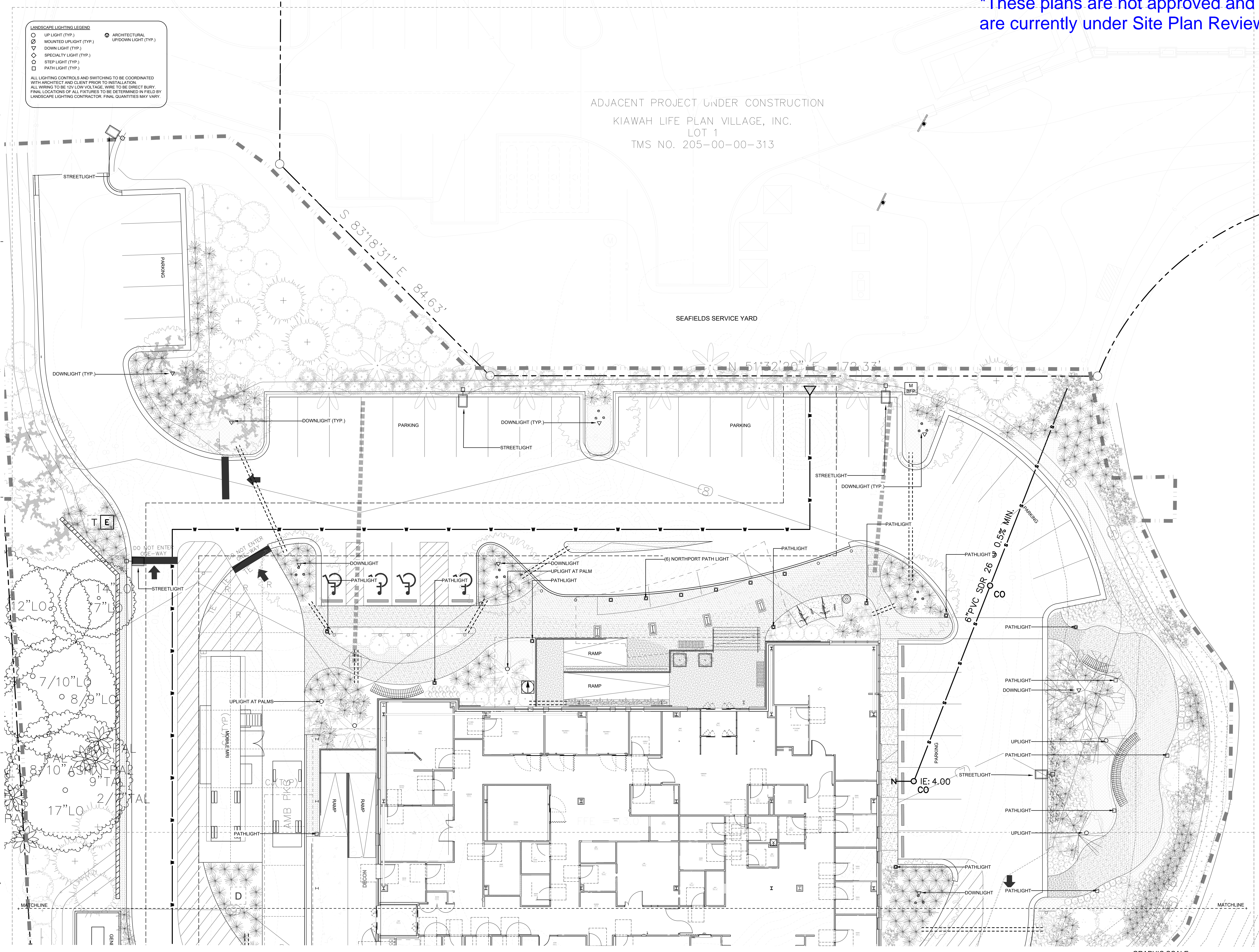
SEAFIELDS SERVICE YARD

**LANDSCAPE LIGHTING LEGEND**

- UP LIGHT (TYP.)
- ▽ MOUNTED UPLIGHT (TYP.)
- ▽ DOWNLIGHT (TYP.)
- ◇ SPECIALTY LIGHT (TYP.)
- STEP LIGHT (TYP.)
- PATH LIGHT (TYP.)
- ⊙ ARCHITECTURAL UPRDOWN LIGHT (TYP.)

ALL LIGHTING CONTROLS AND SWITCHING TO BE COORDINATED WITH ARCHITECT AND CLIENT PRIOR TO INSTALLATION.  
ALL WIRING TO BE 12V LOW VOLTAGE. WIRE TO BE DIRECT BURRY.  
FINAL LOCATIONS OF ALL FIXTURES TO BE DETERMINED IN FIELD BY LANDSCAPE LIGHTING CONTRACTOR. FINAL QUANTITIES MAY VARY.

ALL DRAWINGS, SPECIFICATIONS AND NOTES HEREOF PREPARED BY MCMILLAN PAZDAN SMITH ARCHITECTURE AND SHALL REMAIN THE PROPERTY OF MCMILLAN PAZDAN SMITH ARCHITECTURE. THESE MATERIALS ARE TO BE USED ONLY IN CONNECTION WITH THE PROJECT FOR WHICH THEY WERE PREPARED AND NOT BE REPRODUCED OR TRANSMITTED IN ANY FORM OR BY ANY MEANS, ELECTRONIC OR MECHANICAL, INCLUDING PHOTOCOPYING, RECORDING, OR BY ANY INFORMATION STORAGE AND RETRIEVAL SYSTEM, WITHOUT THE WRITTEN PERMISSION OF MCMILLAN PAZDAN SMITH ARCHITECTURE.



MEDICAL UNIVERSITY HOSPITAL AUTHORITY  
FREESTANDING EMERGENCY DEPARTMENT  
SEA ISLANDS - SCHEMATIC DESIGN

SHEET ISSUE:

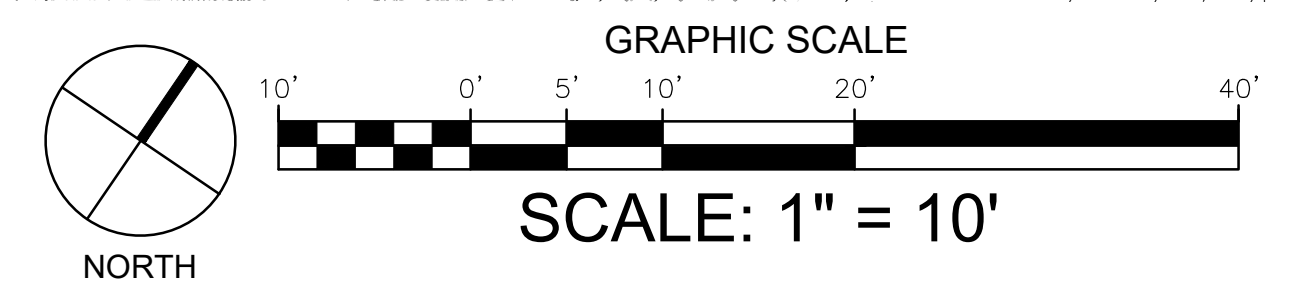
NO.	DATE	DESCRIPTION	BY
A	10/13/23	SCHEMATIC DESIGN	MPS
B	12/1/23	DESIGN DEVELOPMENT	MPS
C	12/23/23	ARB REVIEW	MPS

NOT FOR CONSTRUCTION

PRINCIPAL IN CHARGE: EFS  
PROJECT ARCHITECT: RKM  
DRAWN BY: RKM/AAM

SHEET TITLE:  
PRELIMINARY  
LANDSCAPE  
LIGHTING PLAN

SHEET NO. PROJ. NO.  
021912.02

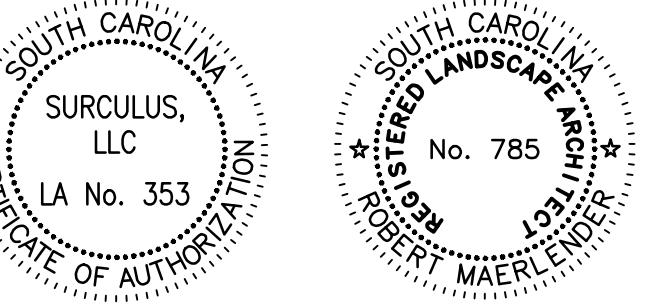


L205

These plans are not approved and are currently under Site Plan Review



62A Cannon Street, Charleston, SC 29403  
www.surculusdesign.com



MEDICAL UNIVERSITY HOSPITAL AUTHORITY  
FREESTANDING EMERGENCY DEPARTMENT  
SEA ISLANDS - SCHEMATIC DESIGN

SHEET ISSUE:

NO.	DATE	DESCRIPTION	BY
A	10/13/23	SCHEMATIC DESIGN	MPS
B	12/1/23	DESIGN DEVELOPMENT	MPS
C	12/23/23	ARB REVIEW	MPS

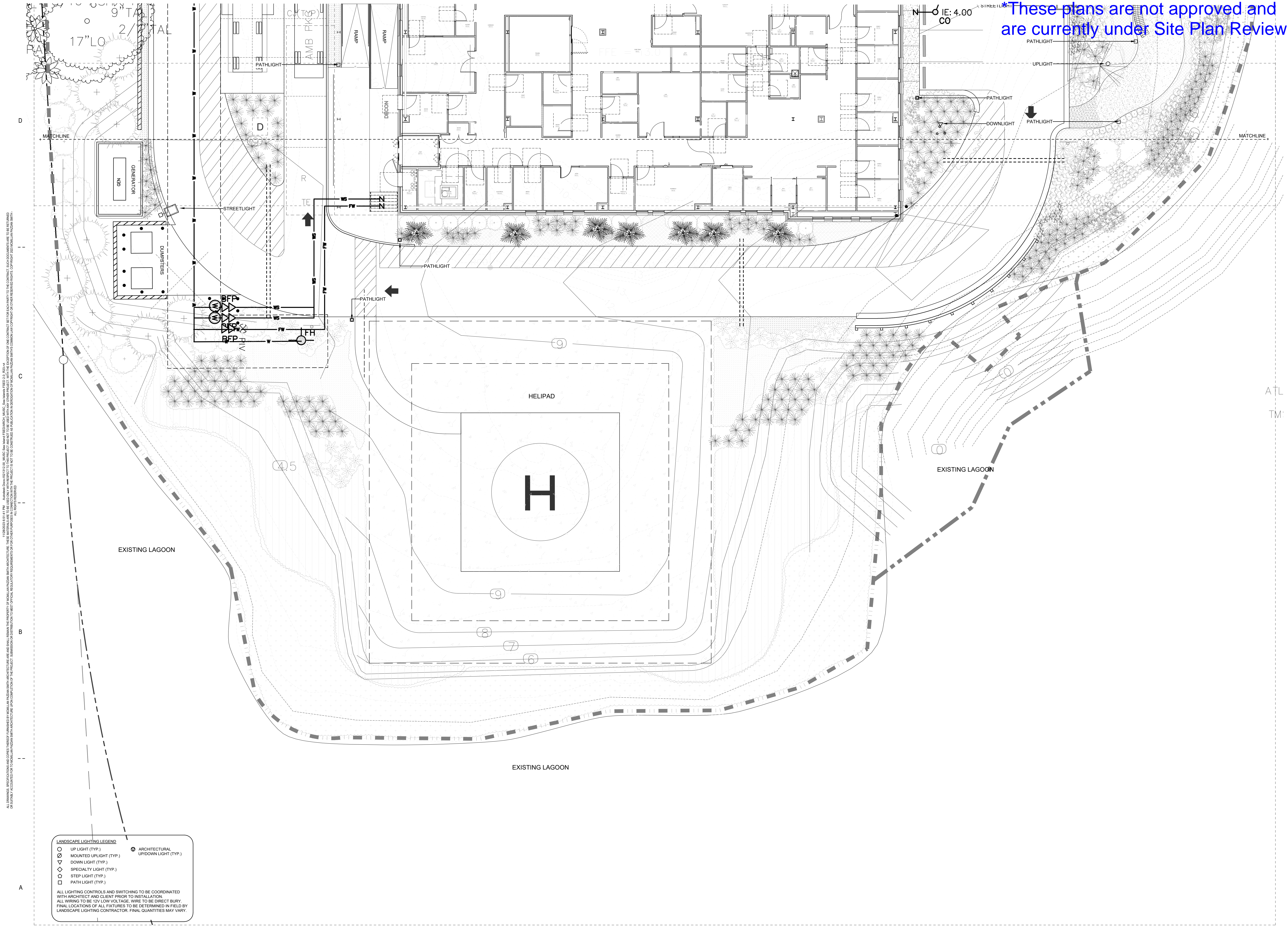
NOT FOR CONSTRUCTION

PRINCIPAL IN CHARGE: EFS  
PROJECT ARCHITECT: RKM  
DRAWN BY: RKM/AAM

SHEET TITLE:  
PRELIMINARY  
LANDSCAPE  
LIGHTING PLAN

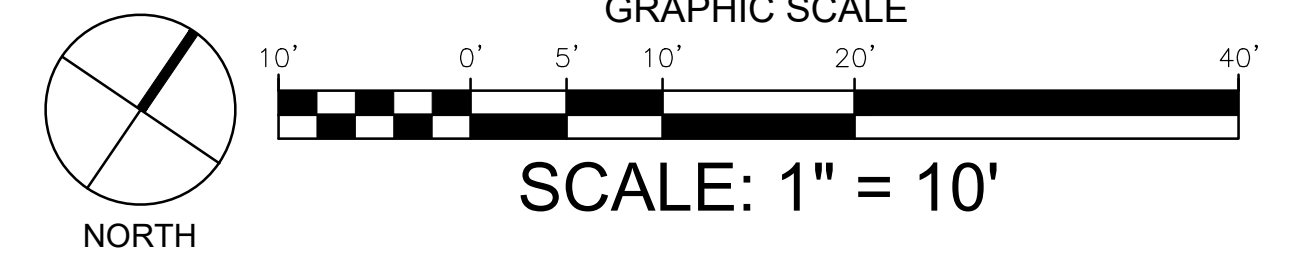
SHEET NO. PROJ. NO.  
021312.02

L206



- LANDSCAPE LIGHTING LEGEND
- UP LIGHT (TYP.)
  - MOUNTED UP LIGHT (TYP.)
  - ▽ DOWN LIGHT (TYP.)
  - ◇ SPECIALTY LIGHT (TYP.)
  - STEP LIGHT (TYP.)
  - PATH LIGHT (TYP.)
  - ARCHITECTURAL UP/DOWN LIGHT (TYP.)

ALL LIGHTING CONTROLS AND SWITCHING TO BE COORDINATED WITH ARCHITECT AND CLIENT PRIOR TO INSTALLATION.  
ALL WIRING TO BE 12V LOW VOLTAGE. WIRE TO BE DIRECT BURY.  
FINAL LOCATIONS OF ALL FIXTURES TO BE DETERMINED IN FIELD BY LANDSCAPE LIGHTING CONTRACTOR. FINAL QUANTITIES MAY VARY.



ALL DRAWINGS, SPECIFICATIONS AND COPIES THEREOF UNLESS OTHERWISE SPECIFIED ARE THE PROPERTY OF MCMILLAN PAZDAN SMITH ARCHITECTURE AND SHALL REMAIN THE PROPERTY OF MCMILLAN PAZDAN SMITH ARCHITECTURE. THESE MATERIALS ARE TO BE USED ONLY IN CONNECTION WITH THE PROJECT FOR WHICH THEY WERE PREPARED AND NOT TO BE REPRODUCED OR TRANSMITTED IN ANY FORM OR BY ANY MEANS, ELECTRONIC OR MECHANICAL, INCLUDING PHOTOCOPYING, RECORDING, OR BY ANY INFORMATION STORAGE AND RETRIEVAL SYSTEM, WITHOUT THE WRITTEN PERMISSION OF MCMILLAN PAZDAN SMITH ARCHITECTURE. THE PROJECT IS NOT TO BE CONSIDERED AS A PROFESSIONAL ENGINEERING OR ARCHITECTURAL DOCUMENT UNLESS SO INDICATED THEREON. ALL RIGHTS RESERVED.

\*These plans are not approved and are currently under Site Plan Review

ADJACENT PROJECT UNDER CONSTRUCTION  
KIAWAH LIFE PLAN VILLAGE, INC.  
LOT 1  
TMS NO. 205-00-00-313

SEAFIELDS SERVICE YARD

MEDICAL UNIVERSITY HOSPITAL AUTHORITY  
FREESTANDING EMERGENCY DEPARTMENT  
SEA ISLANDS - SCHEMATIC DESIGN

SHEET ISSUE:

NO.	DATE	DESCRIPTION	BY
A	10/13/23	SCHEMATIC DESIGN	MPS
B	12/1/23	DESIGN DEVELOPMENT	MPS
C	12/23/23	ARB REVIEW	MPS

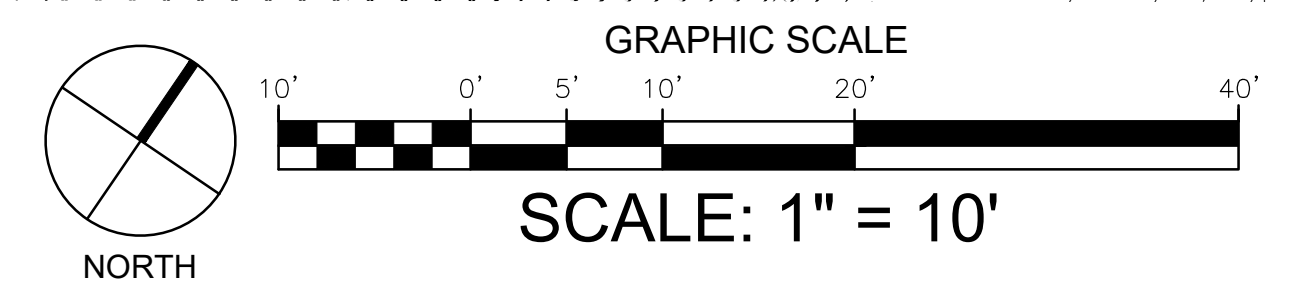
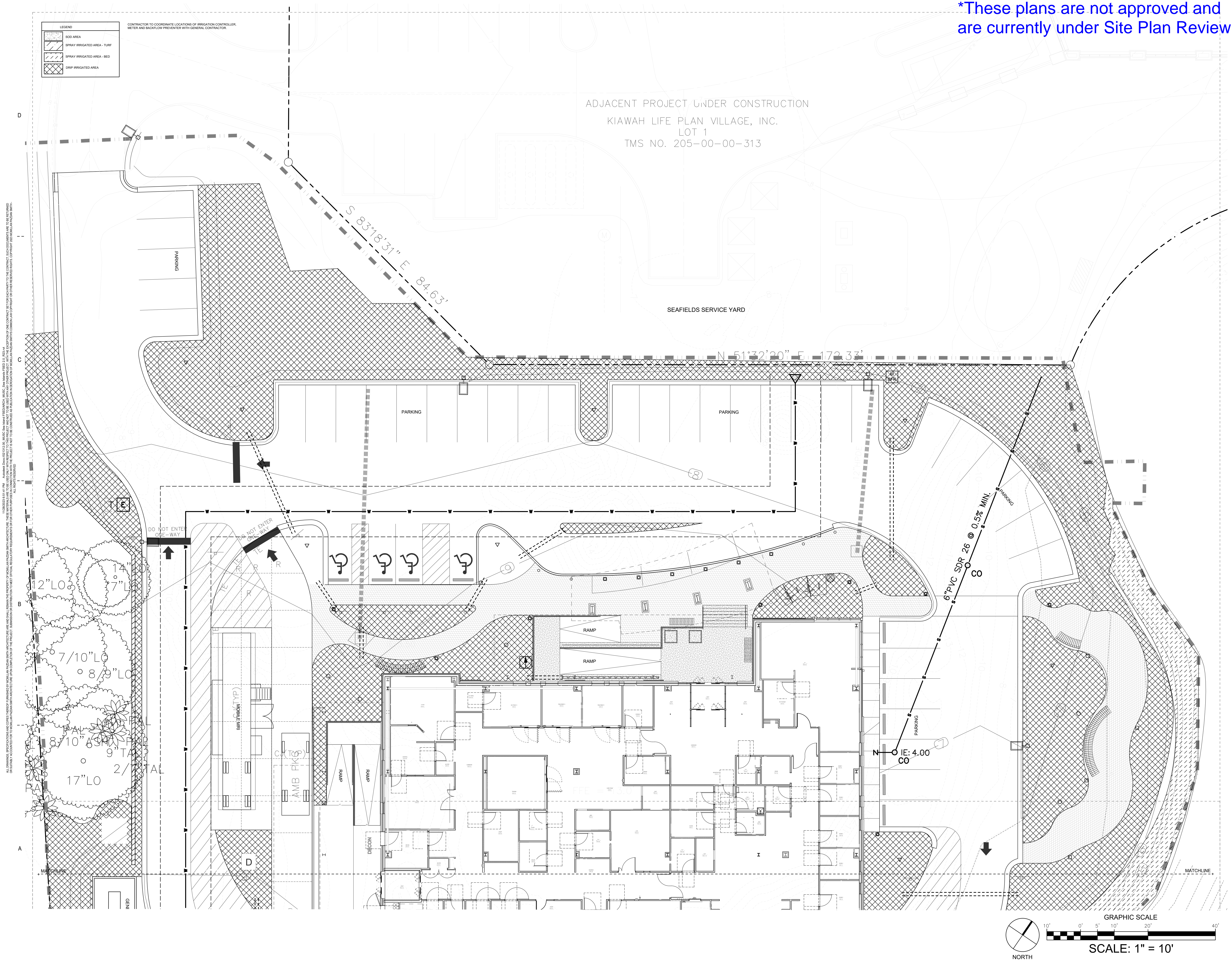
NOT FOR CONSTRUCTION

PRINCIPAL IN CHARGE: EFS  
PROJECT ARCHITECT: RKM  
DRAWN BY: RKM/AAM

SHEET TITLE:  
IRRIGATION  
AREA OF COVERAGE  
PLAN

SHEET NO. PROJ. NO.  
021312.02

L207



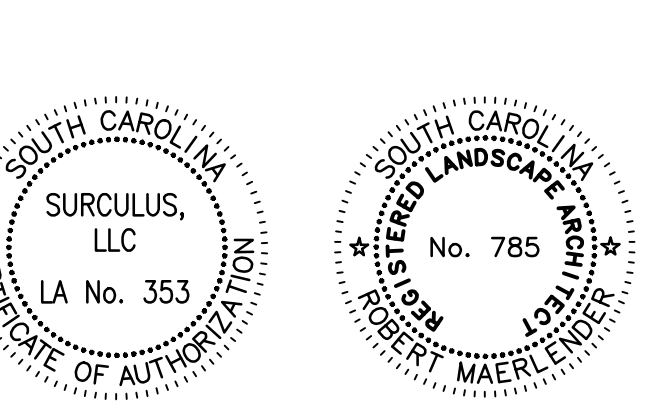
ALL DRAWING SPECIFICATIONS AND NOTES UNLESS OTHERWISE SPECIFIED SHALL BE IN ACCORDANCE WITH THE LATEST EDITIONS OF THE CONSTRUCTION DOCUMENTS AND THE CONSTRUCTION SPECIFICATIONS FOR THE PROJECT. THE CONTRACTOR SHALL BE RESPONSIBLE FOR OBTAINING ALL NECESSARY PERMITS AND APPROVALS FROM THE APPROPRIATE AGENCIES. THE CONTRACTOR SHALL BE RESPONSIBLE FOR OBTAINING ALL NECESSARY PERMITS AND APPROVALS FROM THE APPROPRIATE AGENCIES. THE CONTRACTOR SHALL BE RESPONSIBLE FOR OBTAINING ALL NECESSARY PERMITS AND APPROVALS FROM THE APPROPRIATE AGENCIES.



\*These plans are not approved and are currently under Site Plan Review



62A Cannon Street, Charleston, SC 29403  
www.surculusdesign.com



MEDICAL UNIVERSITY HOSPITAL AUTHORITY  
FREESTANDING EMERGENCY DEPARTMENT  
SEA ISLANDS - SCHEMATIC DESIGN

SHEET ISSUE:

NO.	DATE	DESCRIPTION	BY
A	10/13/23	SCHEMATIC DESIGN	MPS
B	12/1/23	DESIGN DEVELOPMENT	MPS
C	12/23/23	ARB REVIEW	MPS

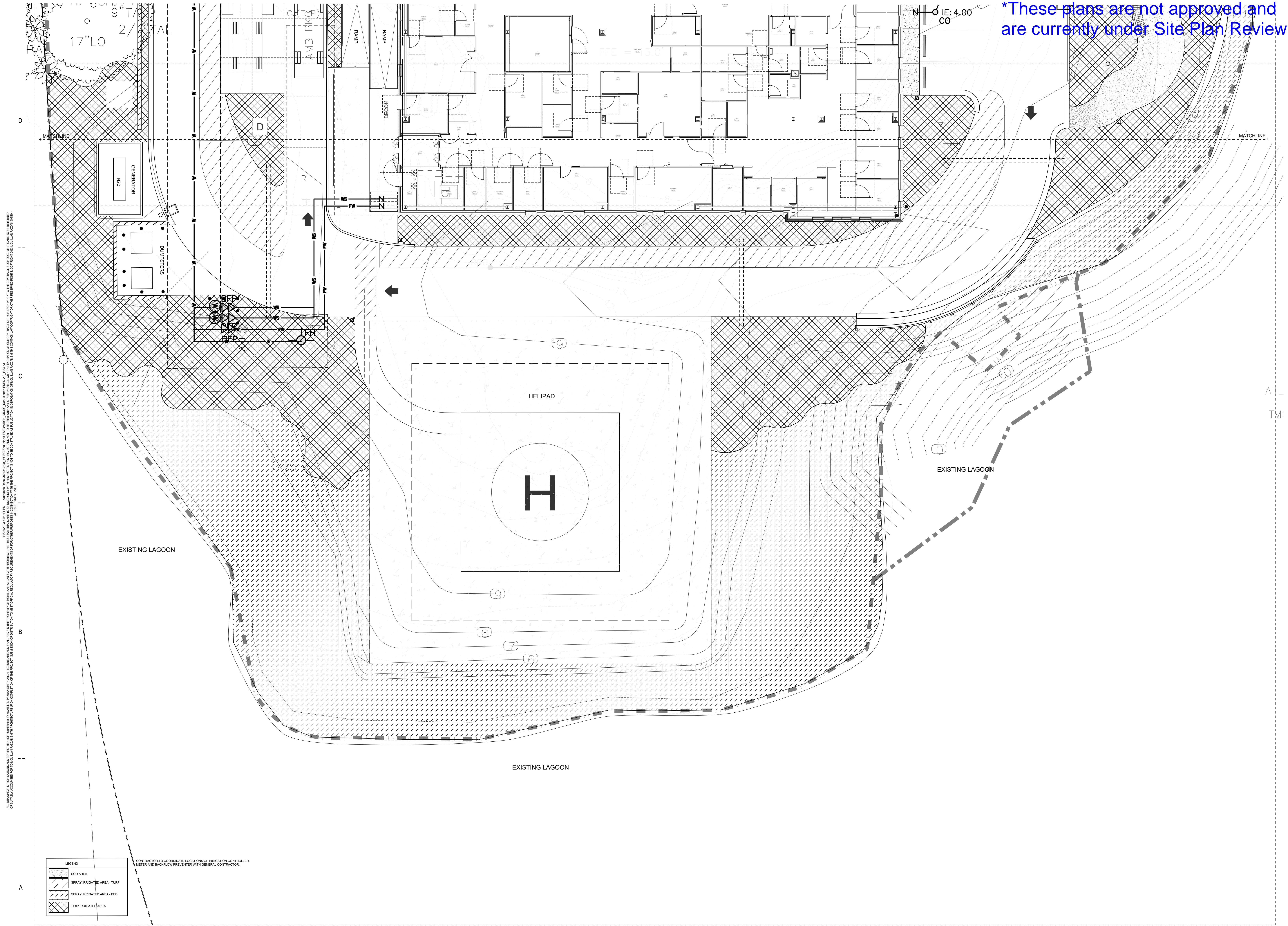
NOT FOR CONSTRUCTION

PRINCIPAL IN CHARGE: EFS  
PROJECT ARCHITECT: RKM  
DRAWN BY: RKM/AAM

SHEET TITLE:  
IRRIGATION  
AREA OF COVERAGE  
PLAN

SHEET NO. PROJ. NO.  
021312.02

L208

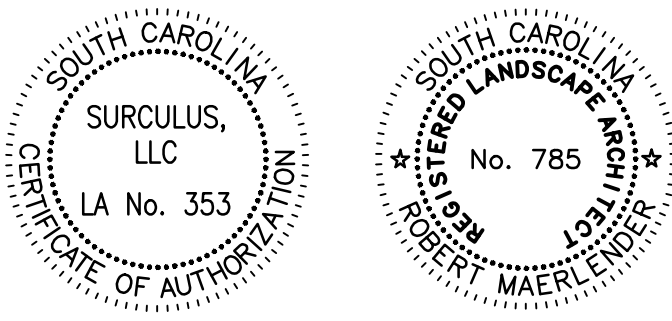


ALL DRAWINGS, SPECIFICATIONS AND COPIES THEREOF UNLESS OTHERWISE SPECIFIED ARE THE PROPERTY OF MCMILLAN PAZDAN SMITH ARCHITECTURE AND SHALL REMAIN THE PROPERTY OF MCMILLAN PAZDAN SMITH ARCHITECTURE. THESE MATERIALS ARE TO BE USED ONLY IN THE PROJECT TO WHICH THEY ARE ISSUED AND NOT TO BE REPRODUCED OR TRANSMITTED IN ANY FORM OR BY ANY MEANS, ELECTRONIC OR MECHANICAL, INCLUDING PHOTOCOPYING, RECORDING, OR BY ANY INFORMATION STORAGE AND RETRIEVAL SYSTEM, WITHOUT THE WRITTEN PERMISSION OF MCMILLAN PAZDAN SMITH ARCHITECTURE. THE PROJECTS NOT BE CONSIDERED AS A REPRESENTATION OF MCMILLAN PAZDAN SMITH ARCHITECTURE'S LIABILITY FOR THE PROJECT. ALL RIGHTS RESERVED.

\*These plans are not approved and are currently under Site Plan Review

CONSULTANT LOGO

SEALS



MEDICAL UNIVERSITY HOSPITAL AUTHORITY

FREESTANDING EMERGENCY DEPARTMENT

SEA ISLANDS - SCHEMATIC DESIGN

NO.	DATE	DESCRIPTION	BY
A	10/13/23	SCHEMATIC DESIGN	MPS
B	12/1/23	DESIGN DEVELOPMENT	MPS
C	12/23/23	ARB REVIEW	MPS

NOT FOR CONSTRUCTION

PRINCIPAL IN CHARGE: EFS  
PROJECT ARCHITECT: RKM  
DRAWN BY: RKM/AMM

SHEET TITLE:  
SITE DETAILS

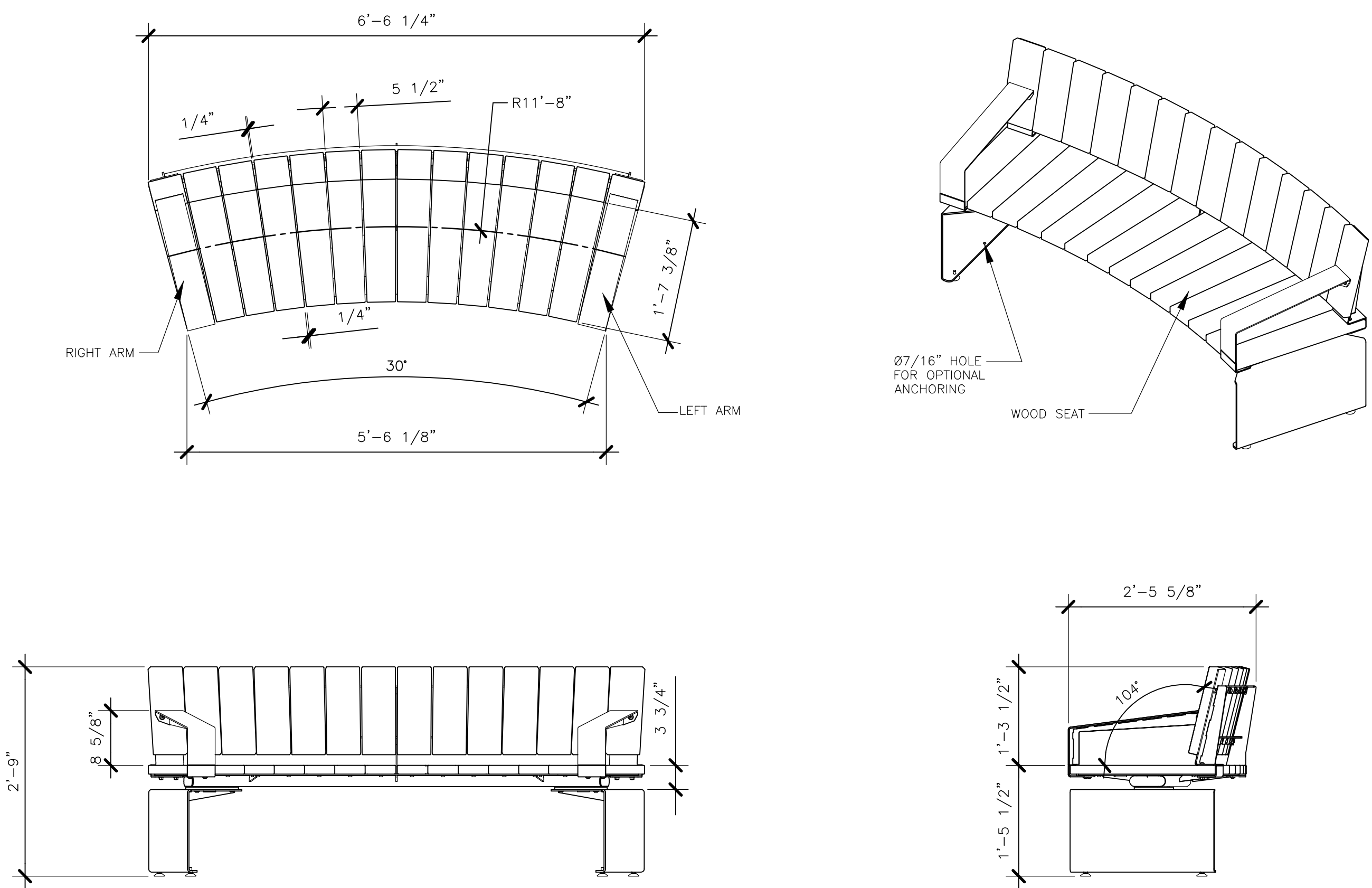
SHEET NO. PROJ. NO.  
021312.02

L301

Link bench, piano key, 140in centerline radius, outside full backrest, end arms, metal legs  
Product Drawing

Date: 01/12/2023  
www.landscapeforms.com Ph: 800.521.2546

D



landscapeforms Drawing: BQ0116  
Dimensions are in inches [mm]

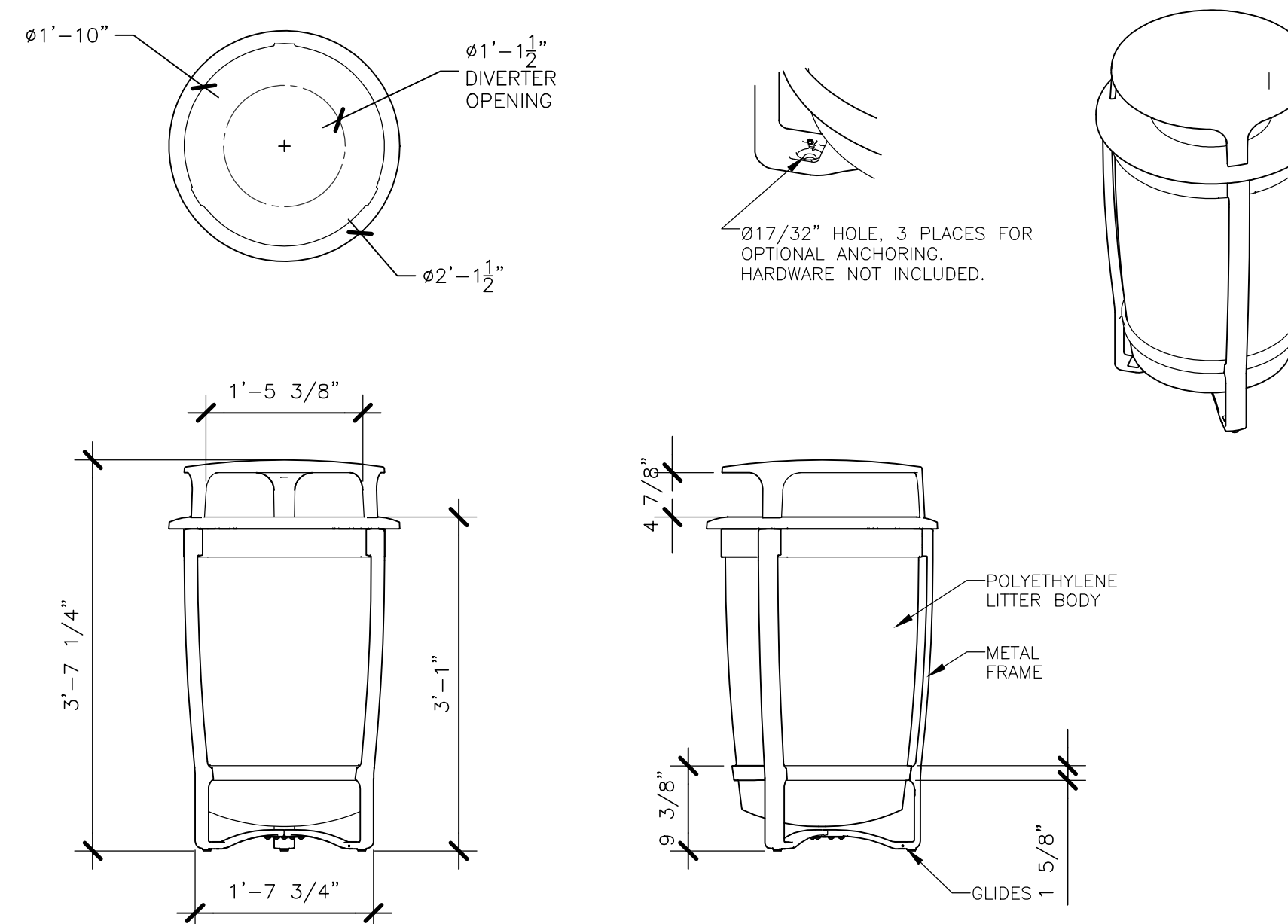
CONFIDENTIAL DRAWING INFORMATION CONTAINED HEREIN IS THE PROPERTY OF LANDSCAPE FORMS. INTENDED USE IS LIMITED TO DESIGN PROFESSIONALS SPECIFYING LANDSCAPE FORMS PRODUCTS AND THEIR DIRECT CLIENTS. DRAWING IS NOT TO BE COPIED OR DISCLOSED TO OTHERS WITHOUT THE CONSENT OF LANDSCAPE FORMS. © 2020 LANDSCAPE FORMS. ALL RIGHTS RESERVED.

D\_LINK BENCH 140" - DR801-01.DWG  
SCALE: 3/4"=1'-0"

1 NORTHPORT TRASH RECEPTACLE (TYP.)

Northport litter receptacle, side opening  
Product Drawing

Date: 09/01/2023  
www.landscapeforms.com Ph: 800.521.2546



landscapeforms Drawing: DR801-01  
Dimensions are in inches [mm]  
Patent Pending

CONFIDENTIAL DRAWING INFORMATION CONTAINED HEREIN IS THE PROPERTY OF LANDSCAPE FORMS. INTENDED USE IS LIMITED TO DESIGN PROFESSIONALS SPECIFYING LANDSCAPE FORMS PRODUCTS AND THEIR DIRECT CLIENTS. DRAWING IS NOT TO BE COPIED OR DISCLOSED TO OTHERS WITHOUT THE CONSENT OF LANDSCAPE FORMS. © 2023 LANDSCAPE FORMS. ALL RIGHTS RESERVED.

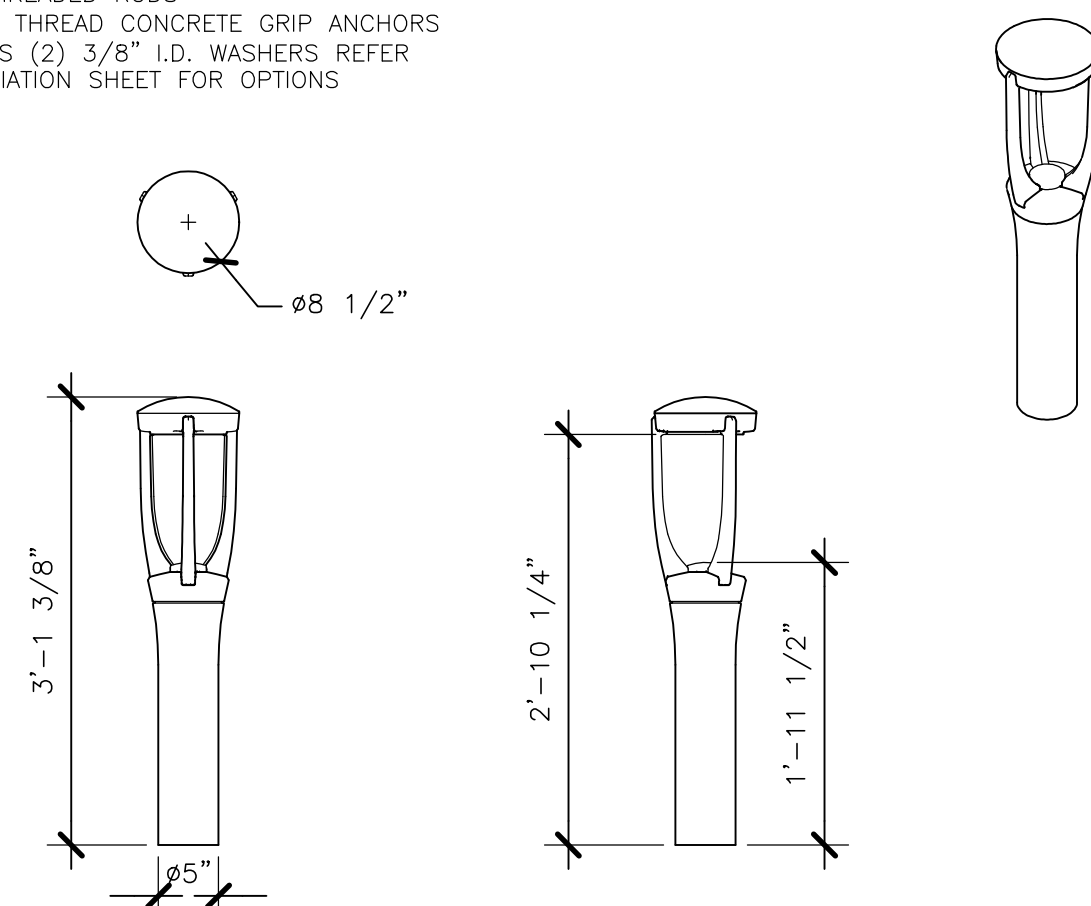
D\_NORTHPORT TRASH - DR801-01.DWG  
SCALE: 3/4"=1'-0"

2 NORTHPORT TRASH RECEPTACLE (TYP.)

Northport Path light  
Product Drawing

Date: 09/27/2023  
www.landscapeforms.com Ph: 800.521.2546

ANCHORING HARDWARE INCLUDED:  
(2) 3/8-16 X 22" THREADED RODS  
(2) 3/8-16 INTERNAL THREAD CONCRETE GRIP ANCHORS  
(2) 3/8-16 HEX NUTS (2) 3/8" I.D. WASHERS REFER TO PRODUCT SPECIFICATION SHEET FOR OPTIONS



landscapeforms Drawing: DR401  
Dimensions are in inches [mm]  
Patent Pending

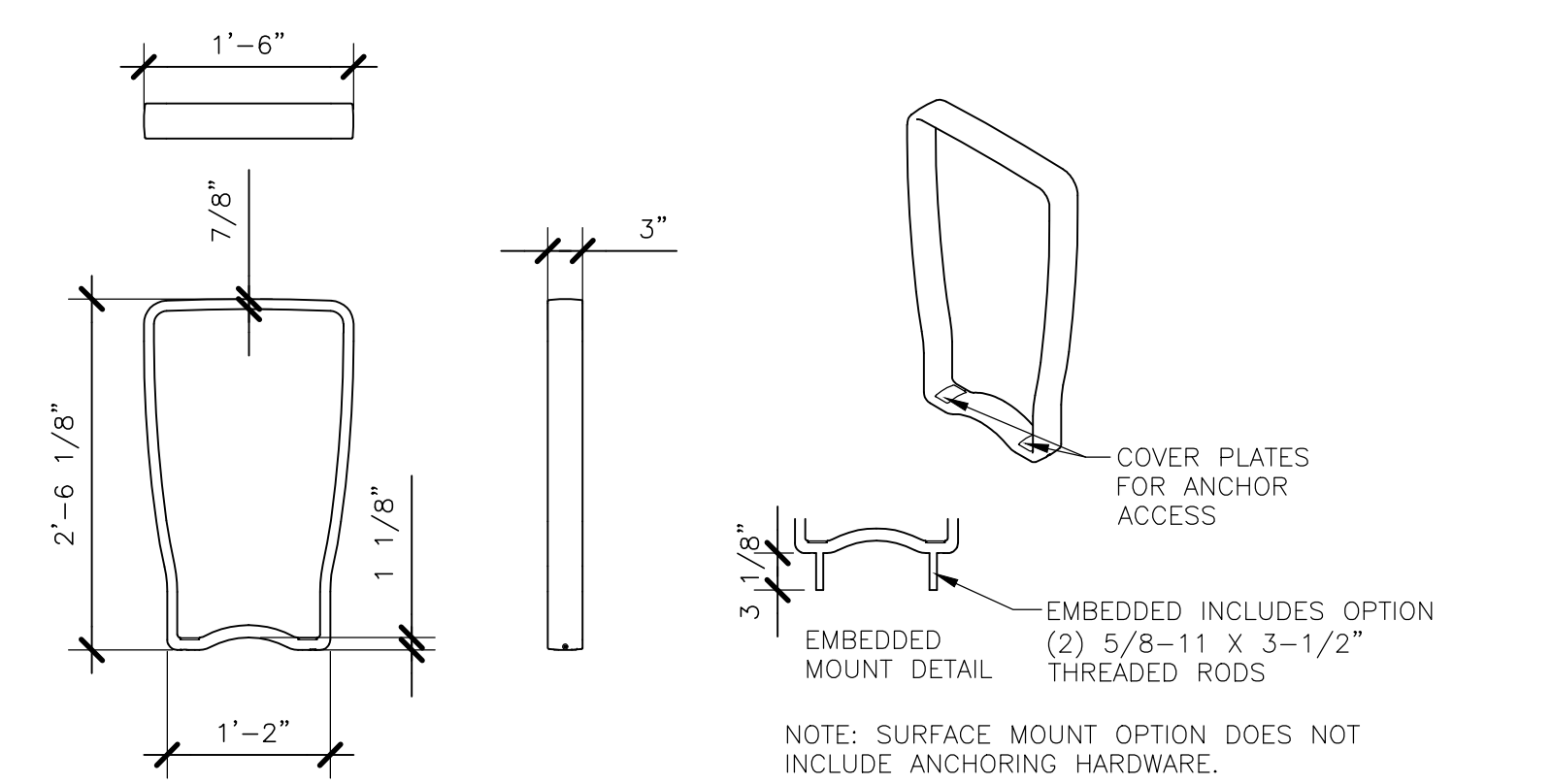
CONFIDENTIAL DRAWING INFORMATION CONTAINED HEREIN IS THE PROPERTY OF LANDSCAPE FORMS. INTENDED USE IS LIMITED TO DESIGN PROFESSIONALS SPECIFYING LANDSCAPE FORMS PRODUCTS AND THEIR DIRECT CLIENTS. DRAWING IS NOT TO BE COPIED OR DISCLOSED TO OTHERS WITHOUT THE CONSENT OF LANDSCAPE FORMS. © 2023 LANDSCAPE FORMS. ALL RIGHTS RESERVED.

D\_NORTHPORT PATH LIGHT - DR401-01.DWG  
SCALE: 3/4"=1'-0"

3 NORTHPORT PATH LIGHT (TYP.)

Northport bike rack  
Product Drawing

Date: 09/01/2023  
www.landscapeforms.com Ph: 800.521.2546



landscapeforms Drawing: DR601-01  
Dimensions are in inches [mm]  
Patent Pending

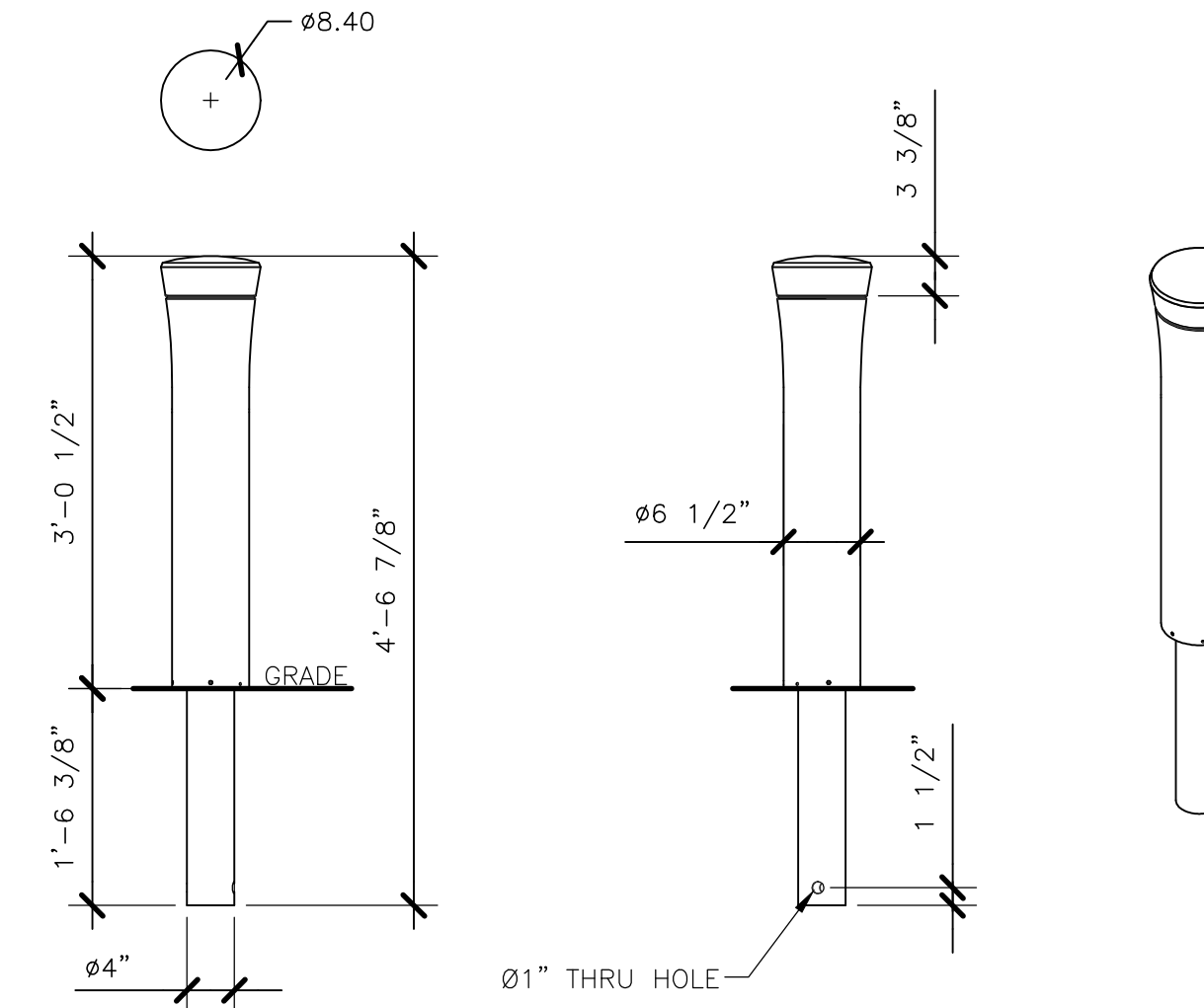
CONFIDENTIAL DRAWING INFORMATION CONTAINED HEREIN IS THE PROPERTY OF LANDSCAPE FORMS. INTENDED USE IS LIMITED TO DESIGN PROFESSIONALS SPECIFYING LANDSCAPE FORMS PRODUCTS AND THEIR DIRECT CLIENTS. DRAWING IS NOT TO BE COPIED OR DISCLOSED TO OTHERS WITHOUT THE CONSENT OF LANDSCAPE FORMS. © 2023 LANDSCAPE FORMS. ALL RIGHTS RESERVED.

D\_NORTHPORT BIKE RACK - DR601-01.DWG  
SCALE: 3/4"=1'-0"

4 NORTHPORT BIKE RACK (TYP.)

Northport bollard, embedded  
Layout Drawing

Date: 09/12/2023  
www.landscapeforms.com Ph: 800.521.2546



landscapeforms Drawing: DR911-01  
Dimensions are in inches [mm]  
Patent Pending

CONFIDENTIAL DRAWING INFORMATION CONTAINED HEREIN IS THE PROPERTY OF LANDSCAPE FORMS. INTENDED USE IS LIMITED TO DESIGN PROFESSIONALS SPECIFYING LANDSCAPE FORMS PRODUCTS AND THEIR DIRECT CLIENTS. DRAWING IS NOT TO BE COPIED OR DISCLOSED TO OTHERS WITHOUT THE CONSENT OF LANDSCAPE FORMS. © 2023 LANDSCAPE FORMS. ALL RIGHTS RESERVED.

D\_NORTHPORT BOLLARD - DR911-01.DWG  
SCALE: 3/4"=1'-0"

5 NORTHPORT BOLLARD (TYP.)

ALL DRAWINGS, SPECIFICATIONS AND COPIES THEREOF ARE THE PROPERTY OF LANDSCAPE FORMS. ANY REPRODUCTION OR DISTRIBUTION OF THESE MATERIALS WITHOUT THE WRITTEN PERMISSION OF LANDSCAPE FORMS IS STRICTLY PROHIBITED. THESE MATERIALS ARE TO BE USED ONLY IN CONNECTION WITH THE PROJECT FOR WHICH THEY WERE DESIGNED AND ARE NOT TO BE REPRODUCED OR TRANSMITTED IN ANY FORM OR BY ANY MEANS, ELECTRONIC OR MECHANICAL, INCLUDING PHOTOCOPYING, RECORDING, OR BY ANY INFORMATION STORAGE AND RETRIEVAL SYSTEM. LANDSCAPE FORMS ASSUMES NO LIABILITY FOR ANY ERRORS OR OMISSIONS. © 2023 LANDSCAPE FORMS. ALL RIGHTS RESERVED.

A

